

Models

T-1000

T-2000



Sugaring /Coating Machine

Topos has taken automatic sugaring to the next level. Our machines are designed to give your product a uniform, adherent coating of powdered sugars, cinnamon, and similar types of coatings. It is an adjustable, high-capacity machine which will produce a consistent coating on your product. These coating tumblers employ a separate, detachable, spiral auger type coating bin and feed screw system. Being easy to clean, maintain and to operate means that our machines pay for themselves over time.

Our Sugaring Machines allow for smooth operations 3 shifts a day, every day of the year. Maintenance requirements are minimal; sanitation is easy. Both the T-1000 and the T-2000 are available with left or right-side sugaring bins with an approximate 250 pound storage bin capacity. The configuration to be selected will depend on its convenience for loading the sugar bin while in production based on your layout.

toposmondial.com

Standard Features

All S/S construction with hinged (and electrically interlocked) access doors for quick, easy cleaning without the use of tools.



Oversized infeed sugar bin for sanitary use. Includes a safety grate over the auger feed bin with a bin vibrator for positive feeding of the coating into the auger, and a variable speed auger feed controller for precise coating control

Full S/S "open frame" for simplified cleaning and sanitation.

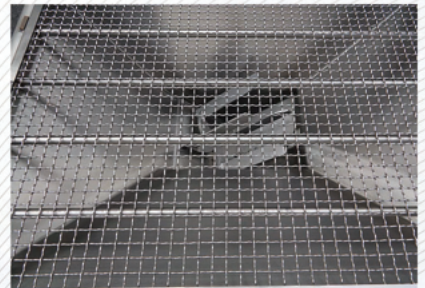
The sugar tumbler is interlocked such that it must be running before the sugar feed system can be started to prevent the packing of sugar in the tumbling drum.



Drum fingers to reduce sugar build up on the outer surface of the inner coating drum.



Adjustable drum angle for product flow control. Can be adjusted by hand while running.



Fully agitated sugar bin with positive spiral screw auger feed.

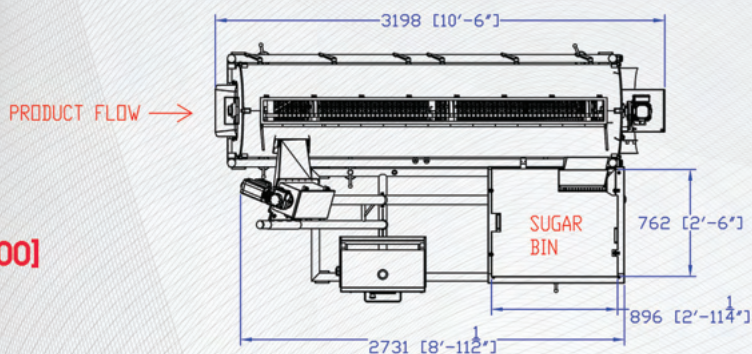
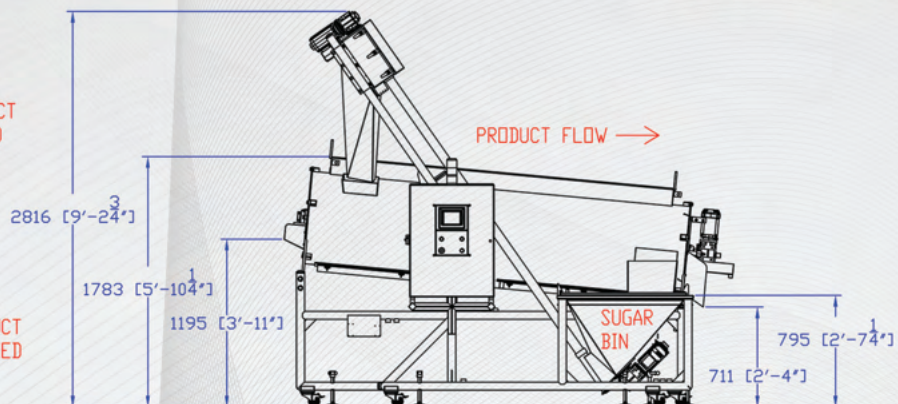
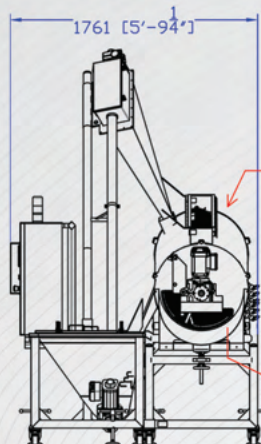


toposmondial.com
600 Queen St. Pottstown, PA, USA - +1.610.970.2270



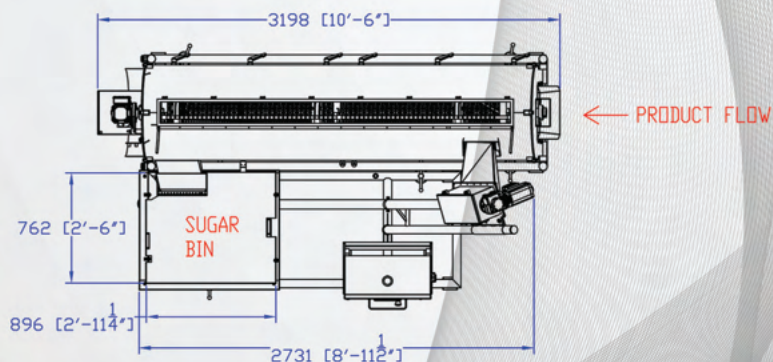
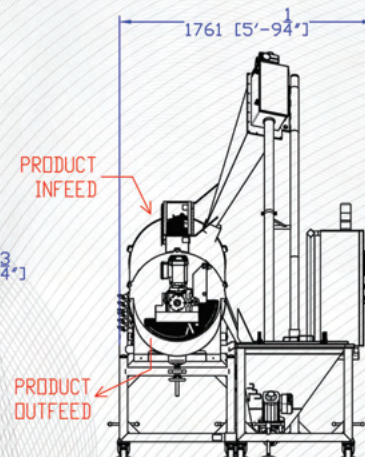
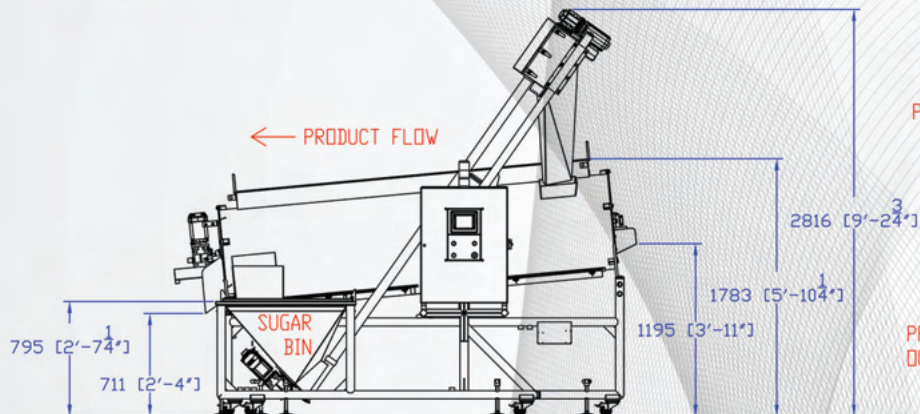
New Series 2000 dz/hr unit layout [Model T-2000]

※RIGHT-HANDED UNIT



**Note: 1000 dozen/hr unit has reduced length by 3' [Model T-1000]
 *Model T-2000 shown above**

※LEFT-HANDED UNIT



All measurements and specifications provided in this brochure are for reference purposes only. Actual measurements and specifications may vary and should be verified prior to purchase or installation. Please consult with our engineering team to confirm details specific to your application.

Nominal 400 unit dz/hr unit with optional infeed and flighted outfeed conveyor



Shown with optional infeed and a flighted outfeed conveyor

The T-400 sugar machine offers a nominal capacity of 400 units per hour (dz/hr), and it comes with the option of adding an infeed and a flighted outfeed conveyor. This machine is meticulously engineered to provide a consistent and even coating for your products, whether it's powdered sugar, cinnamon, or similar finishes. Its adjustable settings ensure a uniform application on every occasion. The sugar/coating is added into the tumbling drum "manually" throughout the production day.

The T-400 is not only user-friendly and easy to clean, but its robustness and efficiency make it a valuable asset for your production needs. Designed for continuous operation, it can seamlessly run through three shifts every day, year-round. Maintenance is simple, and keeping it sanitary is effortless. Additionally, you have the flexibility to choose between left or right side sugaring for your convenience.

Note: Left-handed controls and right-handed discharge are shown here. Opposite handedness can be ordered as well.

